

Griffserien S

Standardtypen für 19"-Einschübe und Geräte.

Werkstoff und Oberfläche:
 Profilaluminium AlMgSi 0,5;
 mattiert und naturfarben oder
 schwarz eloxiert.

Tragkraft:
 min. 500 N.

Hinweis:
 Entsprechend den Lieferangaben
 auf der Seite 7.

Handle Series S

Standard versions for 19" drawers and instruments.

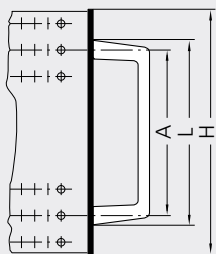
Material and surface:
 Profiled aluminium AlMgSi 0.5;
 anodized with a matt finish in
 natural or black colour.

Stress resistance:
 min. 500 N.

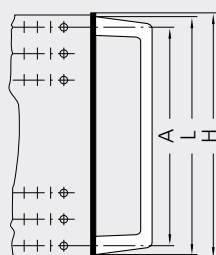
Note:
 Available in accordance with
 terms of delivery on page 7.

Montage auf 19"-Frontplatten: Mounting on 19" front panels:

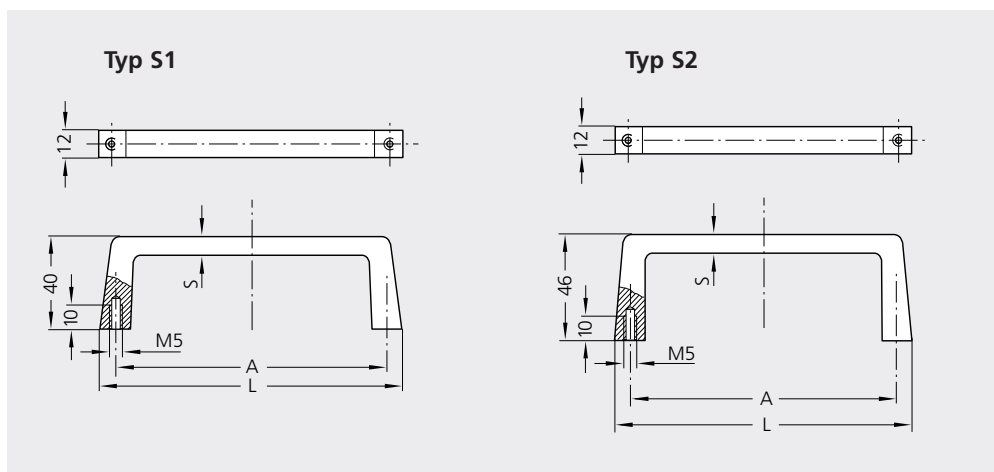
Ausführung / Version 1



Ausführung / Version 2



Clean Line Ausführung
 s. S. 226.
Clean Line version
 see page 226.



| Typ | L | A | geeignete Montage- Ausführung Suitable mounting version | Frontplatten- höhe Height of front panel H | S | naturfarben natural colour | schwarz black |
|-----|-------|----------------------------------|------------------------------------------------------------------------|--------------------------------------------------------|---|----------------------------------|--------------------------|
| | | | | | | Bestell-Nr. Order no. | Bestell-Nr. Order no. |
| S1 | 40 | 25 | 1 | 44,0 (1HE) | 5 | S1-12.025.01 | S1-12.025.04 |
| | 69 | 55 | 1 | 88,1 (2HE) | 8 | S1-12.055.01 | S1-12.055.04 |
| | 102 | 88 | 1 | 132,5 (3HE) | 8 | S1-12.088.01 | S1-12.088.04 |
| | 134 | 120 | 1 | 177,0 (4HE) | 8 | S1-12.120.01 | S1-12.120.04 |
| | 146,5 | 133,4 = Rastermaß/grid scale 3HE | | | 8 | S1-12.133.01 | S1-12.133.04 |
| | 191 | 177,8 = Rastermaß/grid scale 4HE | | | 8 | S1-12.177.01 | S1-12.177.04 |
| | 194 | 180 | 1 | 221,5 (5HE) | 8 | S1-12.180.01 | S1-12.180.04 |
| | 249 | 235 | 1 | 266,0 (6HE) | 8 | S1-12.235.01 | S1-12.235.04 |
| S2 | 265,5 | 251,5 | 2 | 266,0 (6HE) | 8 | S1-12.251.01 | S1-12.251.04 |
| | 102 | 88 | 1 | 132,5 (3HE) | 8 | S2-12.088.01 | S2-12.088.04 |
| | 132 | 120 | 2 | 132,5 (3HE) | 8 | S2-12.120.01 | S2-12.120.04 |

Bei Griffen für 19"-Frontplatten bedeutet:

HE = Höheneinheiten, 1 HE = 44,45 mm = 1 6/8", Frontplattenhöhe ≈ HE x 44,45 - 0,8 mm

It means for 19" front panel handles:

HE = units of height, 1 HE = 44.45 mm = 1 6/8", Height of front panels ≈ HE x 44.45 - 0.8 mm